

PAUL MATTER



GOD SCONCE

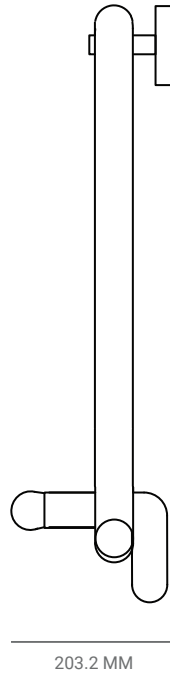
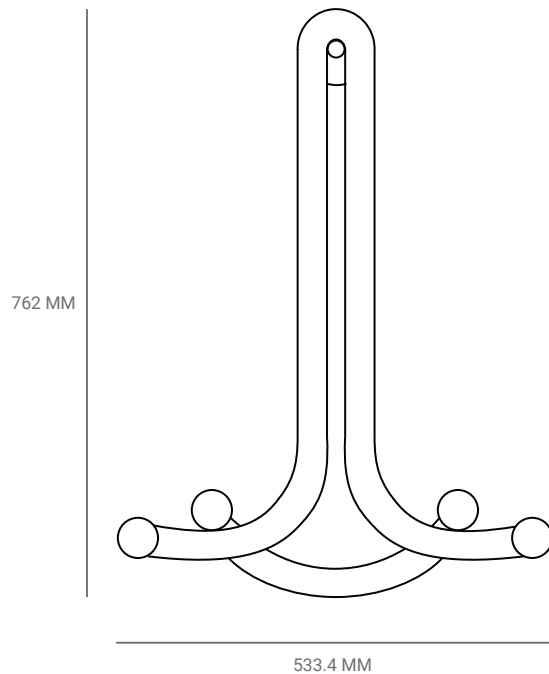
WALL SCONCE

THE PAIR OF SCONCE EXPLORE THE RELATIONSHIP BETWEEN TWO INTERLOCKED FORMS IN PERFECT UNION AND BALANCE. A STUDY OF FORM AND FUNCTION THAT EVOKES THE GRACE AND STRENGTH OF THE CONTRIBUTOR WHERE ONE FORM SIMPLY RESTS ON THE OTHER, IMPLYING COUNTERWEIGHT QUALITY. THE ELECTRICITY SEAMLESSLY FLOWS WITHIN. INTENDED TO BE WALL MOUNTED TOGETHER OR INDIVIDUALLY.

PAUL MATTER

GOD SCONCE

WALL SCONCE



P.CODE:
PMGS2

DIMENSIONS:
762 MM H x 533.4 MM W

WEIGHT:
4 KGS

LAMPING:
4 TYPE E14 SCREW BASE
3W LED, WARM WHITE- 2700K
MATTE PORCELAIN FINISH
CE CERTIFIED, VOLTAGE 220V - 240V
DIMMABLE

MATERIALS:
BRASS AND PORCELAIN FINISH GLASS

CUSTOM FINISHES:
1. AGED BRASS
2. BURNT BRASS
3. RAW BRASS
4. SILVERED BRASS

FINISHED AND ASSEMBLED BY HAND