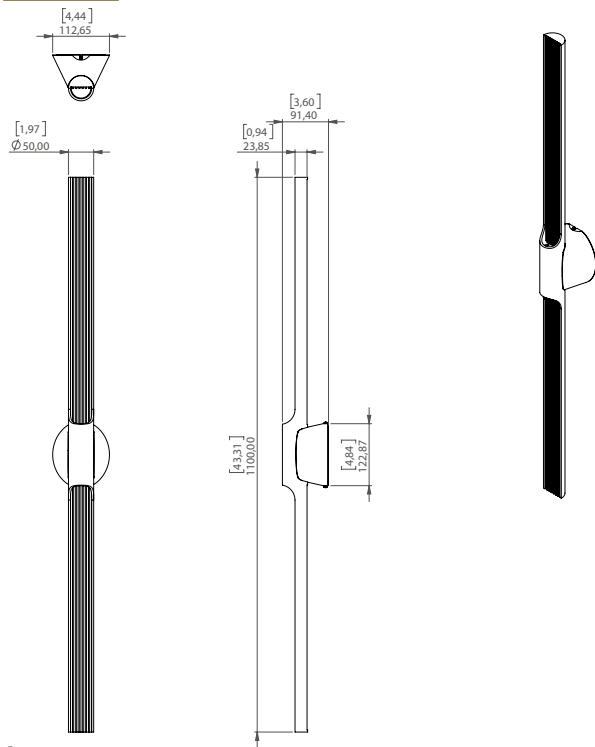


SCONCE BEAM 1100

Design Yves Macheret

mm [in]



Reference

WLBM1100CY

Description

Patinated bronze body -Protective varnish

Handmade in France



Specificity

Led Sources	LED COB 120-277VAC / 50-60hz / 2x9V
Lumens	2x388 lm
Watts	2x4W
Weight kg (lbs)	4.7 [10.36]

Standard	LED	CRI-Ra 98	CE	⊥
----------	-----	-----------	----	---

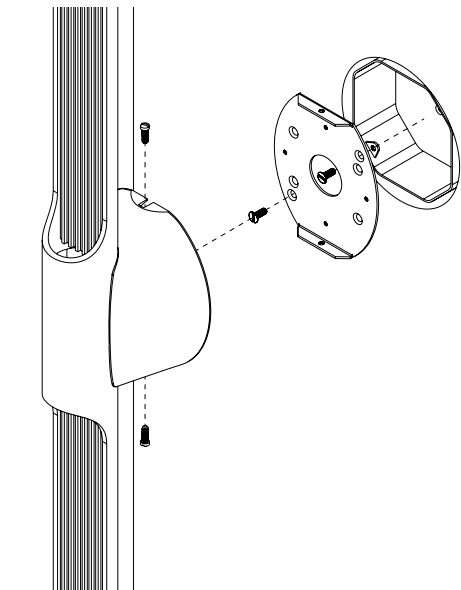
Colors	2700K*	3000K	3500K	4000K
--------	--------	-------	-------	-------

Dimming	Triac*	0.10V	Dali
---------	--------	-------	------

Driver Position	INSIDE*	INSIDE*	INSIDE
-----------------	---------	---------	--------

* Factory setting

Fixation



This sconce covers the Junction Box

Bronze Finishing

Patinas



FNRB
RAW
BRONZE



FNMB
MEDIUM
BRONZE



FNBK
BLACK
BRONZE

Special



FBNB
BRUSHED
NICKEL



CUSTOM
FINISHING
ON DEMAND