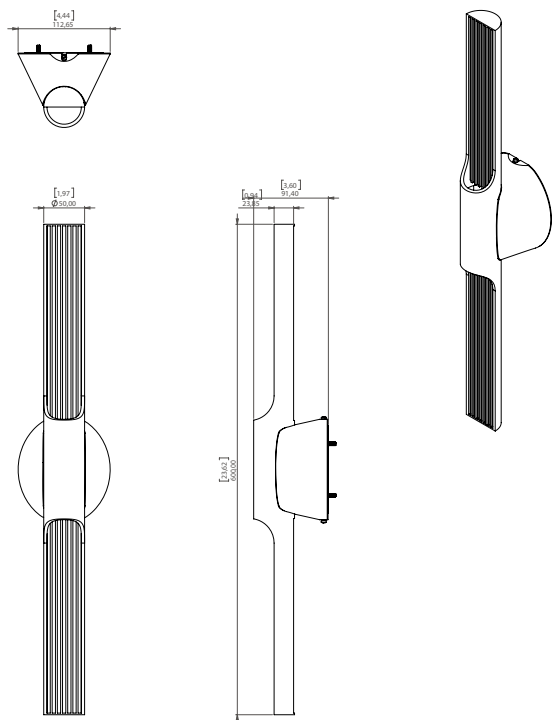


mm [in]



SCONCE BEAM 600

Design Yves Macheret

Reference

WLBM600CY

Description

Patinated bronze body -Protective varnish

Handmade in France



Specificity

Led Sources **LED COB 120-277VAC / 50-60hz / 2x9V**
 Lumens **2x388 lm**
 Watts **2x4W**
 Weight kg (lbs) **2.6 [5.73]**

Standard LED CRI-Ra 98 CE ⚡

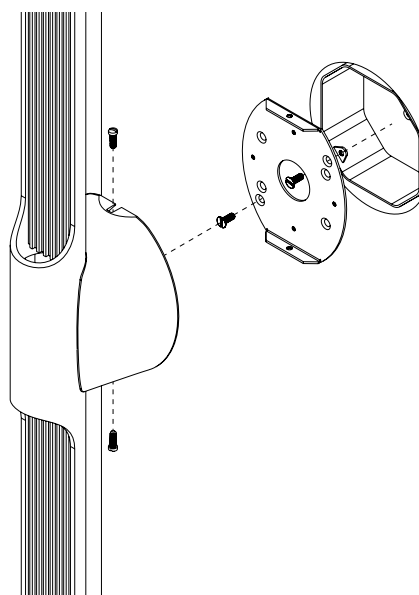
Colors 2700K* 3000K 3500K 4000K

Dimming Triac* 0.10V Dali

Driver Position INSIDE* INSIDE* INSIDE

* Factory setting

Fixation



This sconce covers the Junction Box

Bronze Finishing

Patinas



FNRB
RAW
BRONZE



FNMB
MEDIUM
BRONZE



FNBK
BLACK
BRONZE

Special



FBNB
BRUSHED
NICKEL



CUSTOM
FINISHING
ON DEMAND