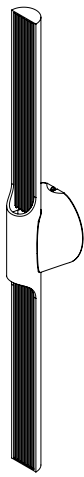
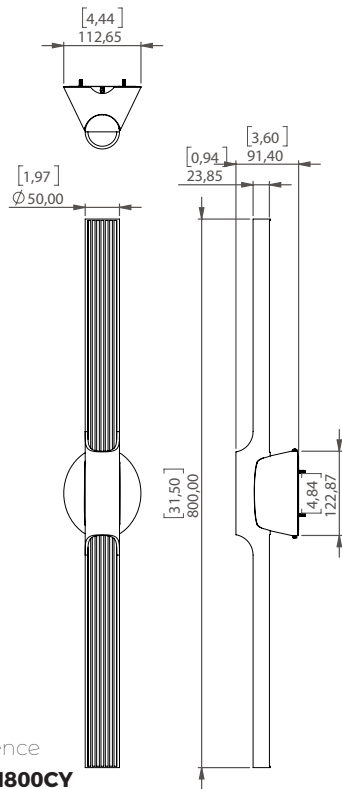


mm [in]



# SCONCE BEAM 800

Design Yves Macheret

Reference

**WLBM800CY**

Description

**Patinated bronze body -Protective varnish**

*Handmade in France*



## Specificity

- Led Sources **LED COB 120-277VAC / 50-60hz / 2x9V**
- Lumens **2x388 lm**
- Watts **2x4W**
- Weight kg (lbs) **3.2 [7]**

Standard

LED	CRI-Ra 98	CE	RoHS
-----	-----------	----	------

Colors

2700K*	3000K	3500K	4000K
--------	-------	-------	-------

Dimming

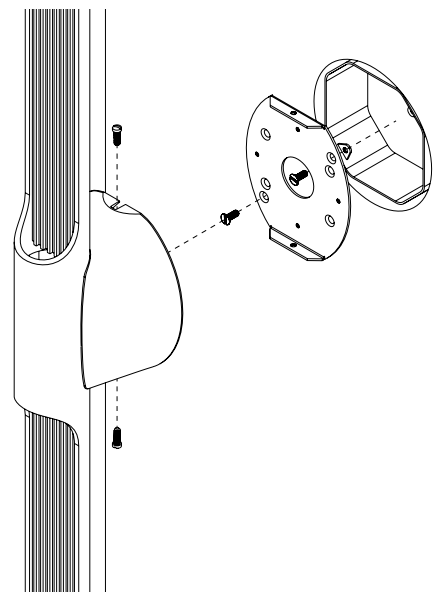
Triac*	0.10V	Dali
--------	-------	------

Driver Position

INSIDE*	INSIDE*	INSIDE
---------	---------	--------

\* Factory setting

## Fixation



*This sconce covers the Junction Box*

## Bronze Finishing

### Patinas



**FNRB**  
RAW  
BRONZE



**FNMB**  
MEDIUM  
BRONZE



**FNBK**  
BLACK  
BRONZE

### Special



**FNBN**  
BRUSHED  
NICKEL



**CUSTOM  
FINISHING  
ON DEMAND**