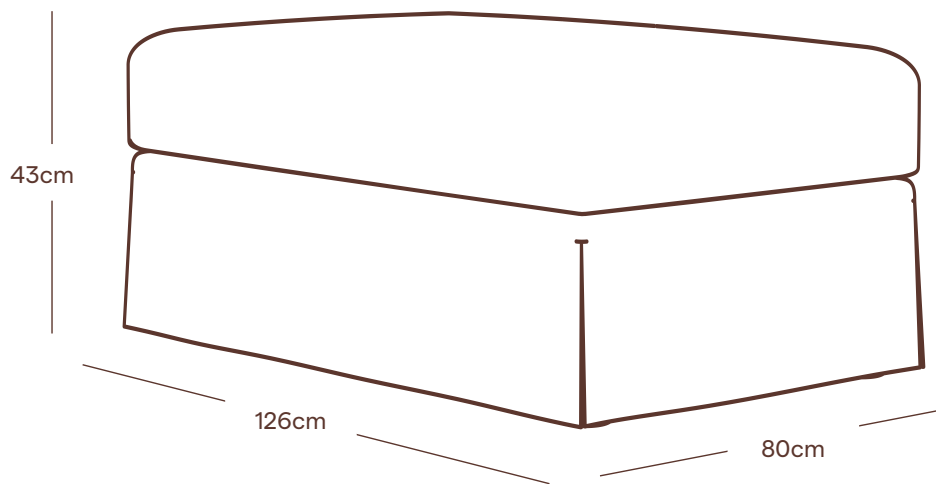


SISTER

THE DASH
OTTOMAN



THE DASH OTTOMAN



MATERIALS

Upholstered here in Paloma Plaid Teal.

DIMENSIONS

Width	126cm
Depth	80cm
Height	43cm

FABRIC

Plain & Pattern: 5 metres

ADDITIONAL COMMENTS

Made in the UK

