

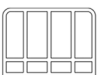
STEPHEN ANTONSON

by hand



DOUBLE MORANDI SCONCE

Double the light, double the presence of the Morandi sconce.



STEPHEN ANTONSON

by hand

MATERIALS

Hand sculpted plaster
Brushed plaster finish
Steel armature
Cast brass 2-part backplate

LAMPING

(UL) Single E12 candelabra
(CE/International) Single E14 candelabra
5 Watt, Bi-pin LED bulb, 2700K recommended

CERTIFICATIONS

UL / CE

DIMENSIONS

[Height: 8.5in / 21.59cm](#)

[Width: 13.5in / 34.29cm](#)

[Depth: 7.5in / 19.05cm](#)

WEIGHT

Approx. 10lbs / 2.72kg

BACKPLATE DIAMETER

Ø5in / Ø12.7cm

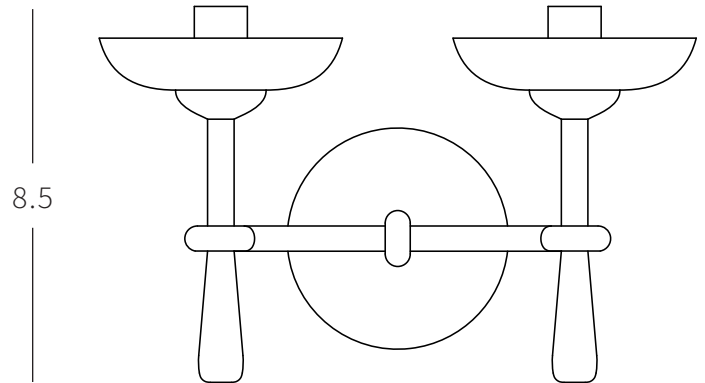
LEAD TIME

18 - 20 weeks

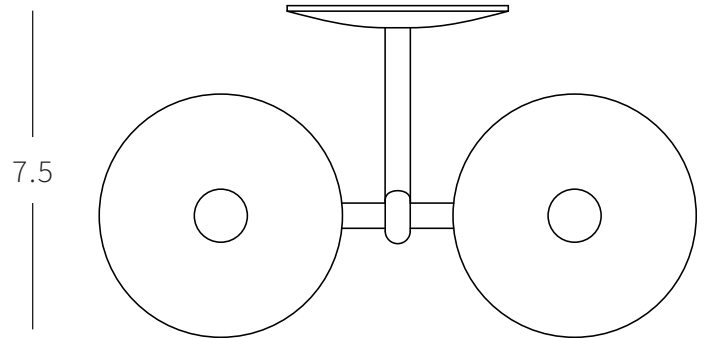
Custom diameters available

FEATURES

Fully Dimmable
Shipped assembled



Front



Top

