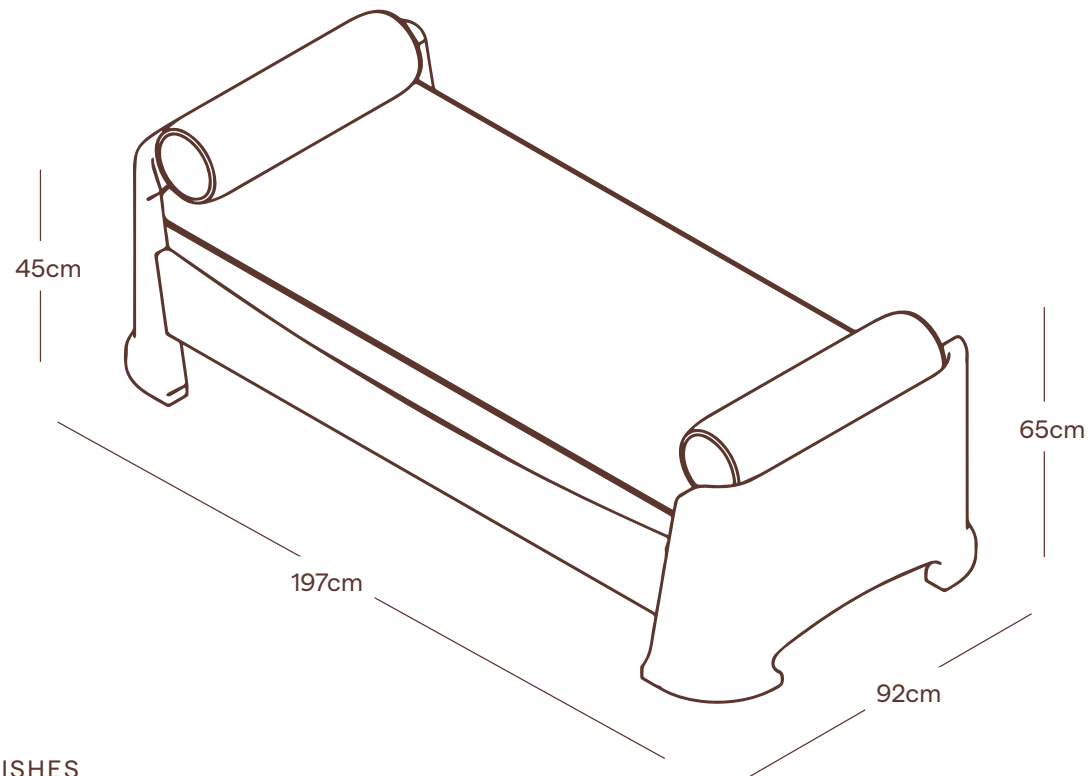


SISTER

THE ELIE  
DAYBED



# THE ELIE DAYBED



## MATERIALS

Upholstered here in a Yarn Collective Marci Mohair and velvet bolster cushions with an Adze Oak Textured base.

## DIMENSIONS

Width 197cm  
Depth 92cm  
Height 65cm  
Seat Height 45cm

## FABRIC

Plain & Pattern: 7 metres

## ADDITIONAL COMMENTS

## AVAILABLE FINISHES



Adze Oak Texture

