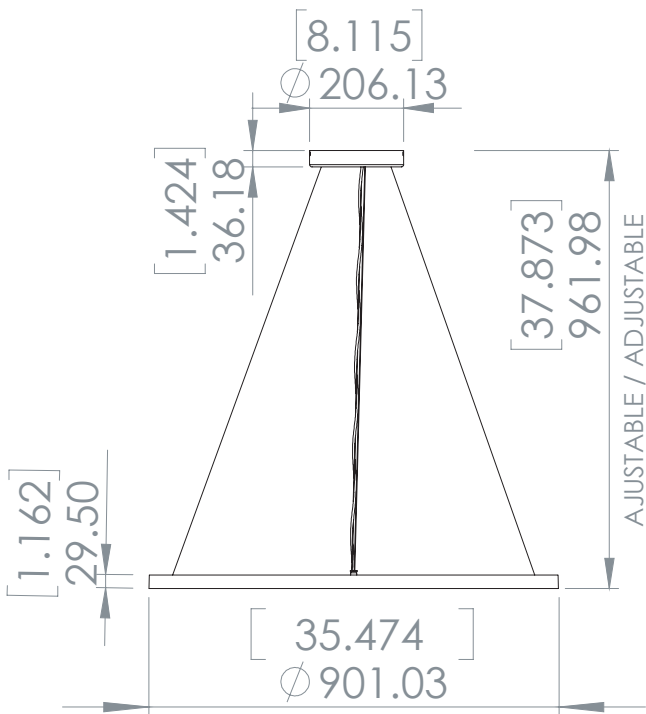


# PENDANT HUBLOT 900



**Reference**

SUHT900RO

**Description**

Corps en bronze patiné - Vernis protecteur - Diffuseur en albâtre  
220-240V / 50-60hz / 24V - LED non remplaçable / 20W

Body lamp in patinated **Bronze** - Protective varnish - Alabaster  
diffuser - 110-240V / 50-60hz / 24V - LED cannot be changed / 20W



**Specificity**

|                        |                   |
|------------------------|-------------------|
| <b>Sources Lumens</b>  | strip LED 24V     |
| <b>Lumens</b>          | 1270 lm (nominal) |
| <b>Watts</b>           | 20                |
| <b>Weight Kg (lbs)</b> | 30 (66)           |

**Certificates**



**Standard**



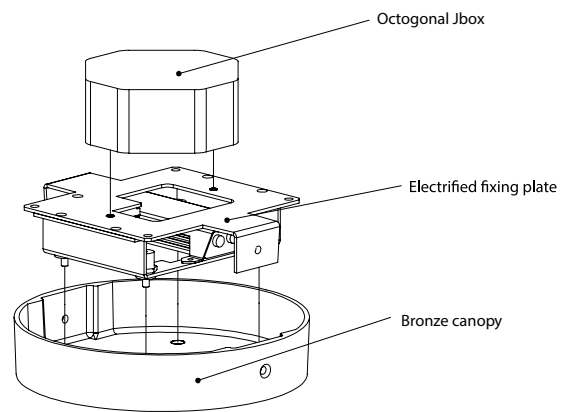
**Colors**



**Dimming**

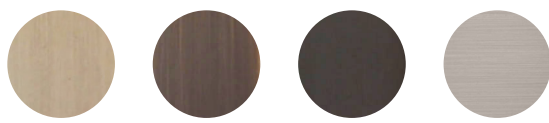


**Fixing**



\* Factory setting

**Patinas**



FNRB

FNMB

FNBK

FNBN  
OPTION

**Alabaster**



WHITE VEINED

BROWN VEINED