

STEPHEN ANTONSON

by hand



JANUS SCONCE

The two-faced god of beginnings and endings, Janus, inspired this double torch style light.



STEPHEN ANTONSON

by hand

MATERIALS

Hand sculpted plaster
Brushed plaster finish
Steel armature
Cast brass 2-part backplate

LAMPING

(UL) Single E12 candelabra
(CE/International) Single E14 candelabra
5 Watt, Bi-pin LED bulb, 2700K recommended

CERTIFICATIONS

UL / CE

DIMENSIONS

Height: 9in / 23cm

Width: 14in / 35.5cm

Depth: 7.25in / 18.42cm

WEIGHT

Approx. 6lbs / 2.72kg

BACKPLATE DIAMETER

Ø5 in / Ø12.7 cm

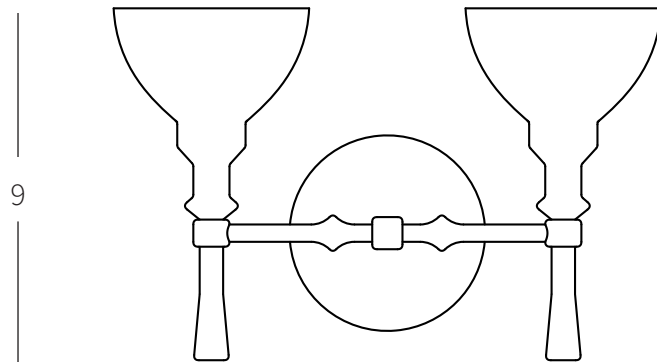
LEAD TIME

18 - 20 weeks

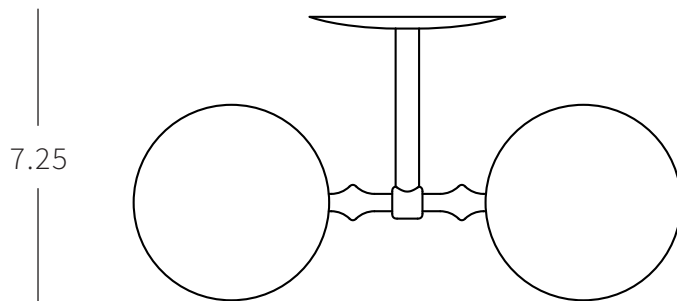
Custom diameters available

FEATURES

Fully Dimmable
Shipped assembled



Front



Side

