



MORANDI SCONCE

*When I think of Morandi's work, I see simple forms, soft diffused light and a uniform matte appearance, as in this delicate but sturdy design.*



# STEPHEN ANTONSON

*by hand*

## MATERIALS

Hand sculpted plaster  
Brushed plaster finish  
Steel armature  
Cast brass 2-part backplate

## LAMPING

(UL) Single E12 candelabra  
(CE/International) Single E14 candelabra  
5 Watt, Bi-pin LED bulb, 2700K recommended

## CERTIFICATIONS

UL / CE

## DIMENSIONS

Height: 8.5in / 21.59cm

Width: 5in / 12.7cm

Depth: 7.5in / 19.05cm

## WEIGHT

Approx. 6lbs / 2.72kg

## BACKPLATE DIAMETER

Ø5 in

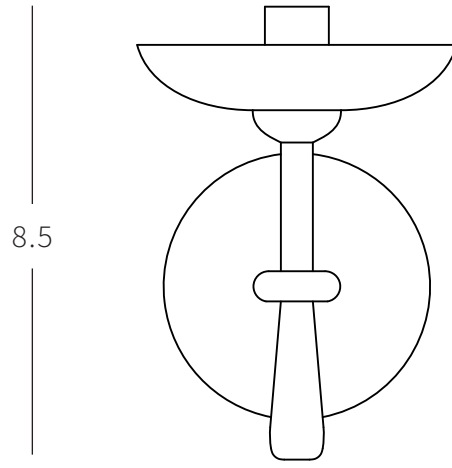
## LEAD TIME

18 - 20 weeks

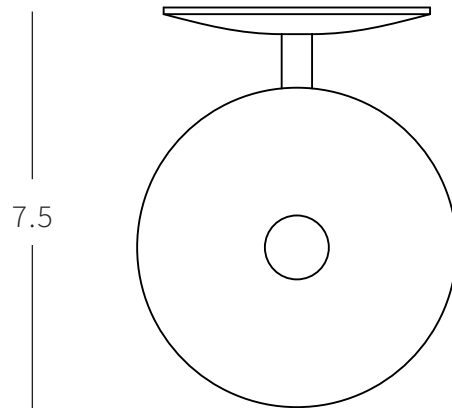
Custom diameters available

## FEATURES

Fully Dimmable  
Shipped assembled



Front



Top

