



ORION LANTERN

The Orion constellation has oriented explorers to the north sky throughout the ages, and contains some of the brightest stars in the night sky. With plaster stars orbiting the central gilded sphere, the Orion Lantern creates a mesmerizing weightless effect and guiding light.



STEPHEN ANTONSON

by hand

Orion Lantern

MATERIALS

Hand sculpted plaster
Brushed plaster finish

LAMPING

Candelabra upright socket, 1 bulb, 60 Watt Max

CERTIFICATIONS

UL / CE

DIMENSIONS

Height: 26.5in / 101.6cm
Width: 18in / 45.72cm

WEIGHT

Approx. 20lbs / 9.07kg

CANOPY

Ø6 in / 15.24cm

LEAD TIME

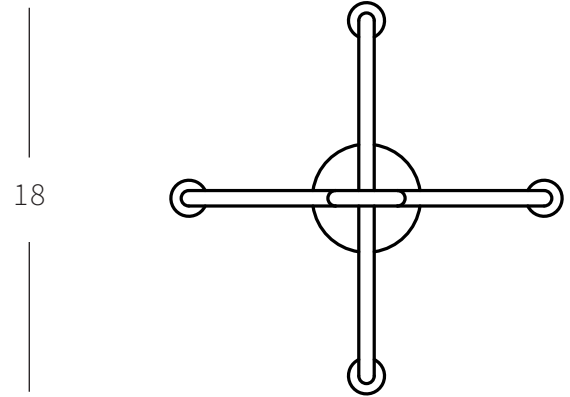
18-20 weeks

Custom dimensions available

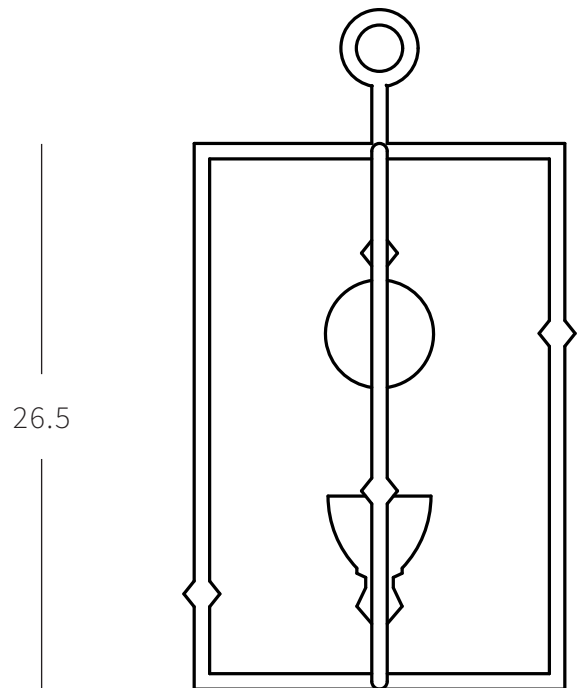
Additional plaster chain can be requested

FEATURES

Fully Dimmable
Shipped assembled
Flexible Overall drop



Top



Front

