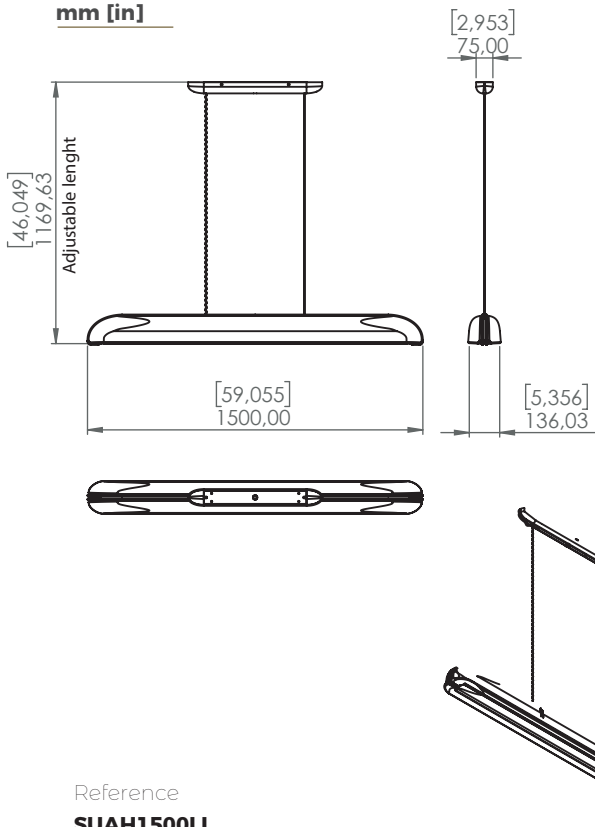


mm [in]



# PENDANT ASH1500LI

Design Yves Macheret



Reference

**SUAH1500LI**

Description

**Patinated bronze body -Protective varnish**

*Handmade in France*

## Specificity

- Led Sources **2x strip LED 24V-220-240V / 50-60hz /**
- Lumens **1000 lm (nominal)**
- Watts **2x30 W**
- Weight kg (lbs) **40 [88]**

Standard

LED	CRI-Ra 98	UL LISTED	RoHS
-----	-----------	-----------	------

Colors

2700K*	3000K
--------	-------

Dimming

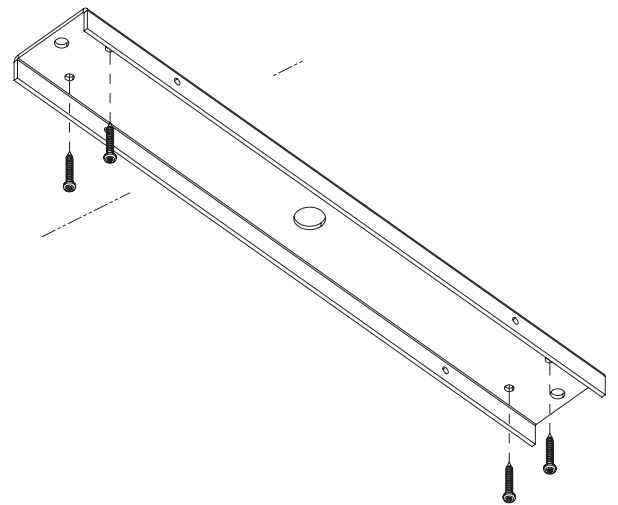
Triac*	0.10V	Dali
--------	-------	------

Driver Position

INSIDE*	REMOTE	REMOTE
---------	--------	--------

\*Factory setting

## Fixation



## Bronze Finishing

### Patinas



**FNRB**  
RAW  
BRASS



**FNMB**  
MEDIUM  
BRASS



**FNBK**  
BLACK  
BRASS

### Special



**FNBN**  
BRUSHED  
NICKEL



**CUSTOM**  
FINISHING  
ON DEMAND

