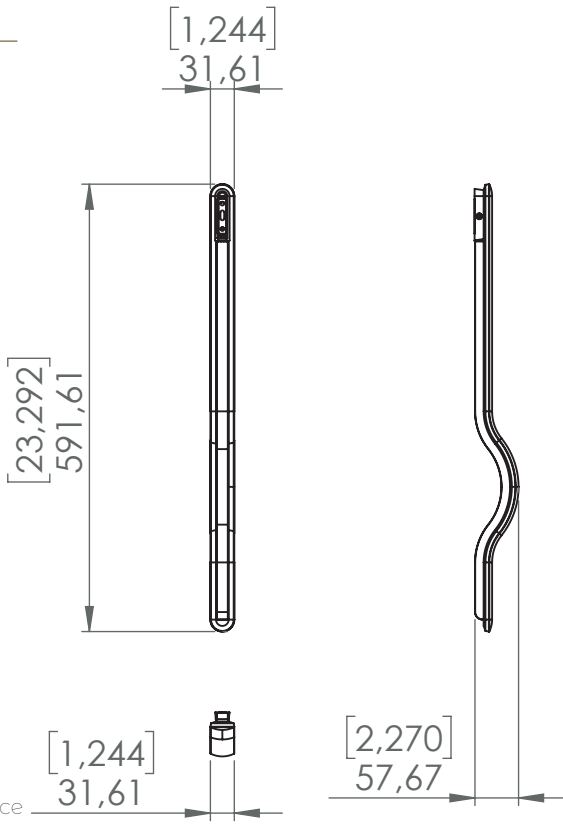


NAM
mm [in]

SCONCE ERUCA 600

Design Arnaud Leman



Reference

WLEA600RC

Description

Patinated bronze body - Protective varnish - Alabaster diffuser

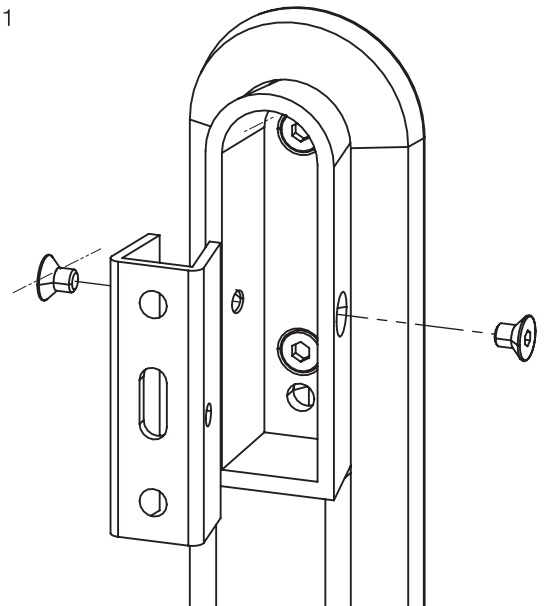
Handmade in France

Specificity

Led Sources	strip LED 220-240V / 50-60hz / 24V		
Lumens	500 lm (nominal)		
Watts	8 W		
Weight kg (lbs)	5.4 [11.9]		
Standard	LED	CRI-Ra 98	UL LISTED
Colors	2700K*	3000K	
Dimming	Triac*	0.10V	Dali
Driver Position	REMOTE*	REMOTE	REMOTE

* Factory setting

Fixation



Bronze Finishing

Patinas



Special



Alabasters

Type

