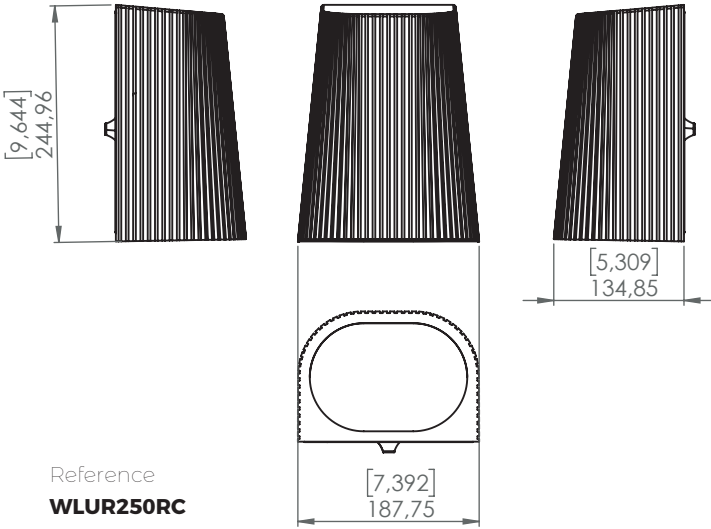
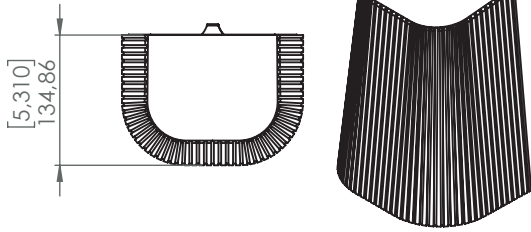


NAM  
mm [in]

# SCONCE UPPER 250

Design Yves Macheret



Reference  
**WLUR250RC**

Description

**Patinated bronze body - Protective varnish - Glass diffuser**

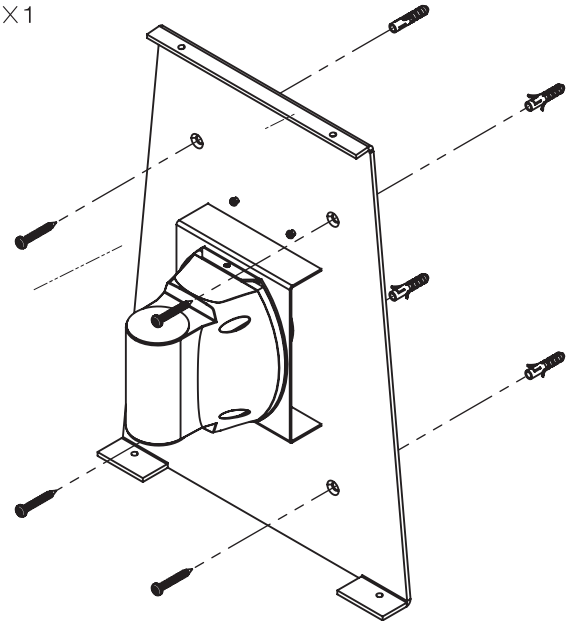
Handmade in France

## Specificity

Led Sources	<b>LED COB 120-277VAC / 50-60hz / 34V</b>		
Lumens	<b>1091 lm (nominal)</b>		
Watts	<b>8.4 W</b>		
Weight kg (lbs)	<b>5.4 [11.9]</b>		
Standard	LED	CRI-Ra 98	UL LISTED
Colors	2700K*	3000K	
Dimming	Triac*	0.10V	Dali
Driver Position	INSIDE*	INSIDE	INSIDE

\* Factory setting

## Fixation



## Bronze Finishing

### Patinas



**FNRB**  
RAW  
BRASS

**FNMB**  
MEDIUM  
BRASS

**FNBK**  
BLACK  
BRASS

### Special



**FNBN**  
BRUSHED  
NICKEL

**CUSTOM**  
FINISHING  
ON DEMAND

## Alabasters

### Type



**WHITE**  
VEIN

**BROWN**  
VEIN

