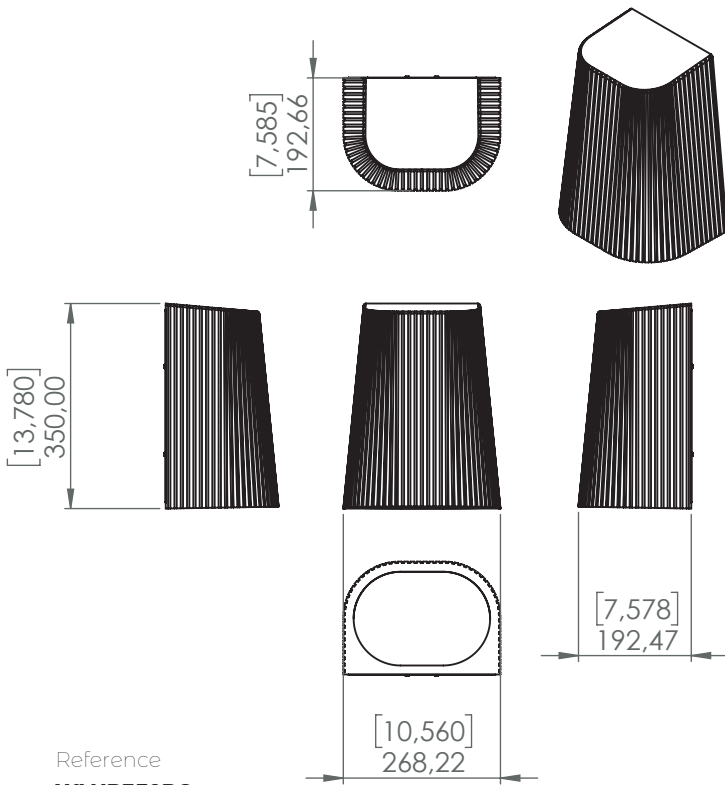


UPPER 350

Design Yves Macheret



Reference

WLUR350RC

Description

Patinated bronze body - Protective varnish - Glass diffuser

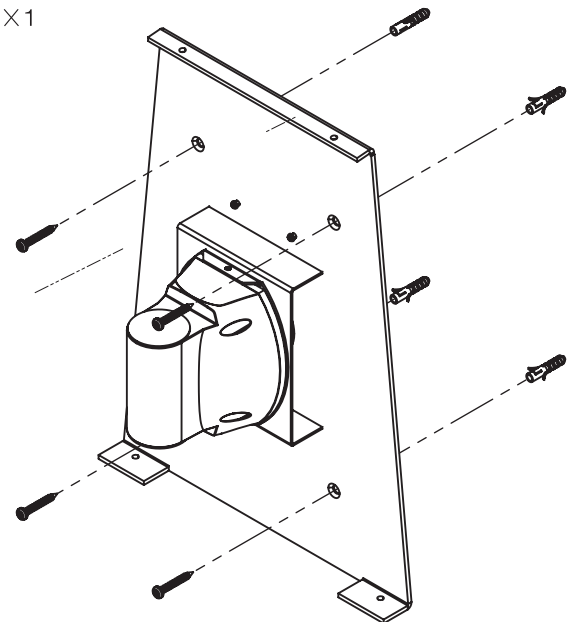
Handmade in France

Specificity

Led Sources	LED COB 120-277VAC / 50-60hz / 34V		
Lumens	1091 lm (nominal)		
Watts	8.4 W		
Weight kg (lbs)	5.4 [11.9]		
Standard	LED	CRI-Ra 98	UL LISTED
Colors	2700K*	3000K	
Dimming	Triac*	0.10V	Dali
Driver Position	INSIDE*	INSIDE	INSIDE

*Factory setting

Fixation



Bronze Finishing

Patinas



FNRB
RAW
BRASS

FNMB
MEDIUM
BRASS

FNBK
BLACK
BRASS

Special



FNBN
BRUSHED
NICKEL

CUSTOM
FINISHING
ON DEMAND

Alabasters

Type



WHITE
VEIN

BROWN
VEIN

