

Reference

WLKN800RC

Description

Patinated bronze body - Protective varnish - Alabaster diffuser

Handmade in France

SCONCE KHIPAN 800

Design Arnaud leman



Specificity

- Led Sources **strip LED 220-240V / 50-60hz / 24V**
- Lumens **400 lm (nominal)**
- Watts **8W**
- Weight kg (lbs) **6.35 [14]**

Standard

LED	CRI-Ra 98	UL LISTED	⏚
-----	-----------	-----------	---

Colors

2200K	2700K*	3000K	4100K
-------	--------	-------	-------

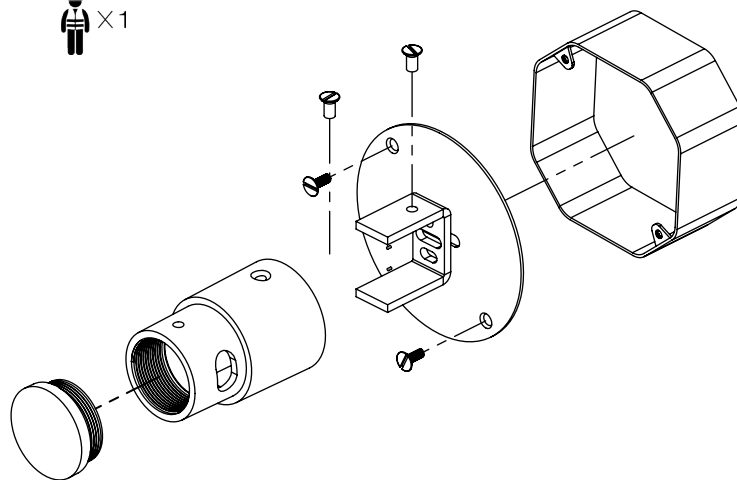
Dimming

Triac*	0.10V	Dali
--------	-------	------

Driver Position

REMOTE	REMOTE	REMOTE
--------	--------	--------

Fixation



*Factory setting

Bronze Finishing

Patinas



FNRB
RAW
BRONZE



FNMB
MEDIUM
BRONZE



FNBK
BLACK
BRONZE

Special



FNBN
BRUSHED
NICKEL



CUSTOM
FINISHING
ON DEMAND

Alabasters

Type



WHITE
VEIN



BROWN
VEIN