

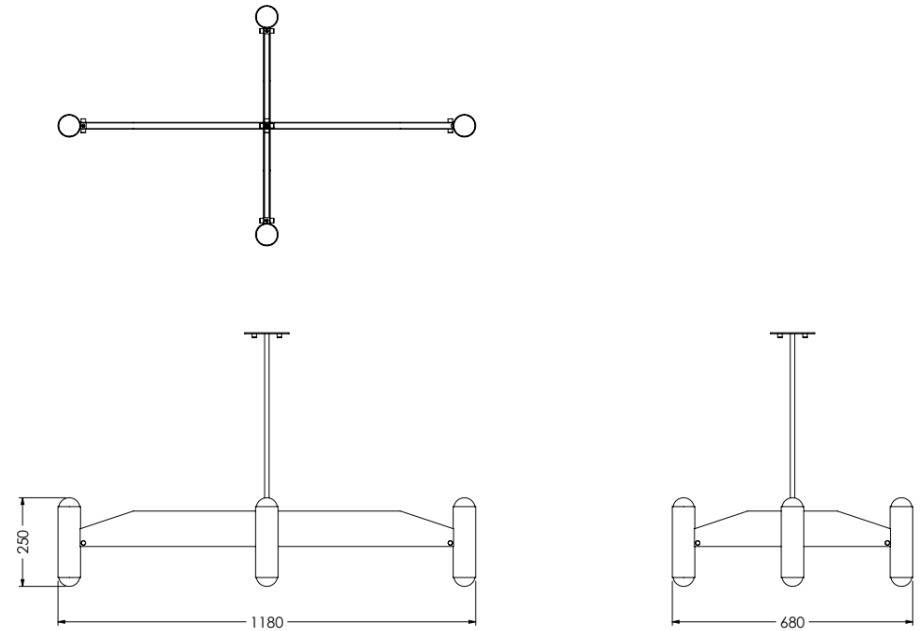
LOST PROFILE - SPECIFICATION SHEET - **SURVEILLANCE CROSS**

Borrowing its silhouette from a modern day security camera, this dynamic spotlight is designed to cast a beam upon your most valued of treasures.



LOST PROFILE - SPECIFICATION SHEET - SURVEILLANCE CROSS

PRODUCT	SURVEILLANCE CROSS
DIMENSIONS (mm)	1180 L x 680 W x 250 H
WEIGHT (kg)	10kg
MILLIAMPS (mA)	1000mA
WATTAGE (W)	60W
DRIVER	1000mA AC-DIMMABLE CONSTANT CURRENT
COLOUR TEMP	WARM WHITE 2700K
BEAM ANGLE	35 degrees (approx.)
LUMENS	1600
CRI	>90
FINISHES	STD
Clear enamel & powder coated finishes available on request (Add 10%) Standard (STD) surface finishes: Blonde Brass, Aged Brass, Dark Bronze (waxed)	



MATERIALS: Brass, glass, aluminium, LED.

MAINTENANCE: All LOST PROFILE metal surfaces are waxed. These metal surfaces are designed to age and patinate. Wear gloves when handling to avoid hand prints. Clear enamel coating is available on request.

DRIVERS & DIMMING: SURVEILLANCE is supplied with a separate phase-dimmable LED driver. Location of the driver will need to be considered. LOST PROFILE do not supply dimmer switches or wall plates.

RODS & CEILING CANOPY: LOST PROFILE offers rods at four lengths (mm): 250, 500, 750, 1000. One rod is included in the price of each SURVEILLANCE CROSS, additional rods are extra. Please consider the height of the fixture itself when selecting a rod. SURVEILLANCE CROSS is supplied with 1 x 180mm Square Flush canopy.

PRICING & LEAD TIMES: Please contact us or your nearest LOST PROFILE representative for current pricing and lead times.

