

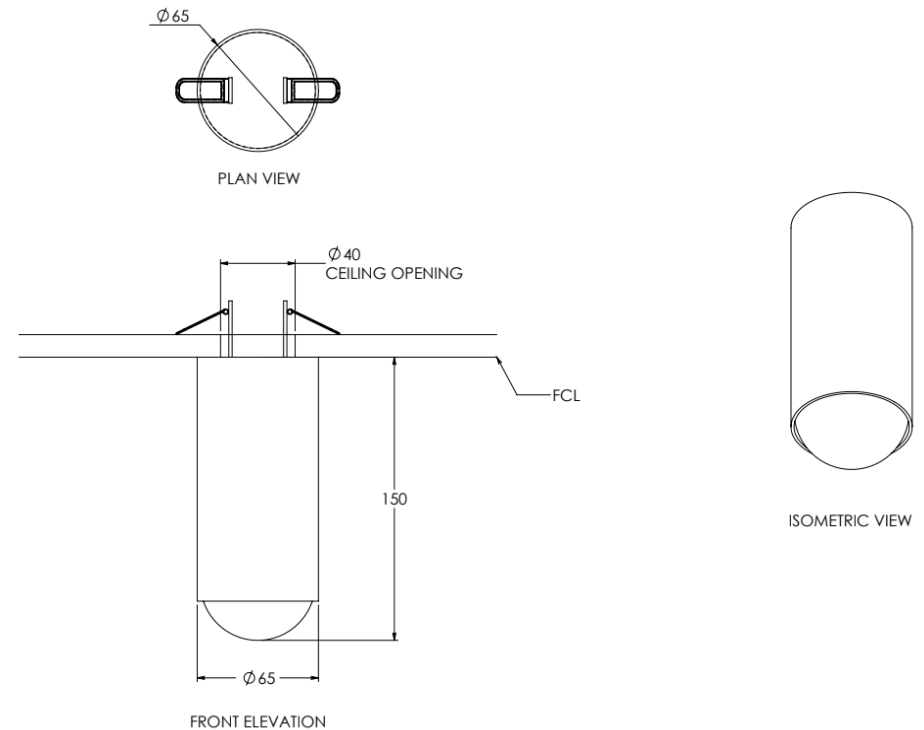
LOST PROFILE - SPECIFICATION SHEET - **SURVEILLANCE DOWNLIGHT**

Borrowing its silhouette from a modern day security camera, this dynamic downlight is designed to cast a beam upon your most valued treasures.



LOST PROFILE - SPECIFICATION SHEET - SURVEILLANCE DOWNLIGHT

PRODUCT	SURVEILLANCE DOWNLIGHT
DIMENSIONS (mm)	65 x 65 x 150mm
WEIGHT (kg)	0.5kg
MILLIAMPS (mA)	250mA
WATTAGE (W)	15W
DRIVER	250mA AC-DIMMABLE CONSTANT CURRENT
COLOUR TEMP	WARM WHITE 2700K
BEAM ANGLE	35 degrees (approx.)
LUMENS	1200
CRI	>90
FINISHES	STD
Clear enamel & powder coated finishes available on request (Add 10%) Standard (STD) surface finishes: Blonde Brass, Aged Brass, Dark Bronze (waxed)	



MATERIALS

Brass, glass, steel, aluminium, LED.

MAINTENANCE

All LOST PROFILE metal surfaces are waxed. These metal surfaces are designed to age and patinate. Wear gloves when handling to avoid hand prints. Clear enamel coating is available on request.

DRIVERS & DIMMING

SURVEILLANCE is supplied with a separate phase-dimmable LED driver. Location of the driver will need to be considered. LOST PROFILE do not supply dimmer switches or wall plates.

PRICING & LEAD TIMES

Please contact us or your nearest LOST PROFILE representative for current pricing and lead times.

