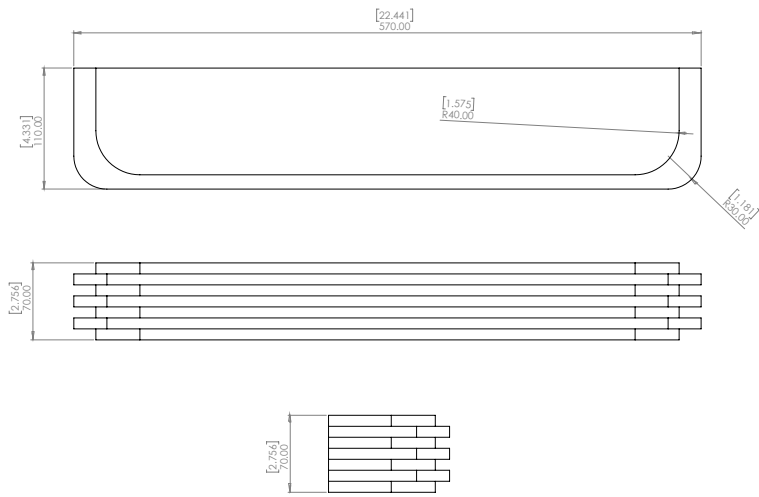


# WALL LAMP TOAST 570

DESIGN YVES MACHERET



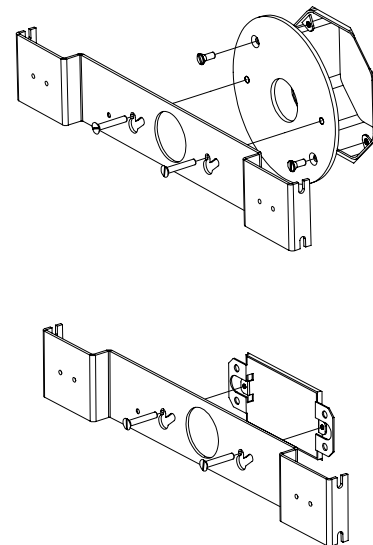
Référence  
WLT570RC

Description  
Body lamp patinated brass - Protective varnish - Alabaster diffuser  
120 VAC / 60hz / 15W

## Specificity

Sources Lumens	Strip LED 24V
Lumens	1200 lm
Watts	15
Weight (lbs)	13
Certificates	Class 2
Standard	LED  CRI-Ra 98  120 VAC 50-60HZ  DMIN  Dry location
Colors	2700K  3000K  4000K
Dimming	Triac  0.10V  Other

## Fixing



\* Standard setting

To install the wall light vertically, please rotate the box 90°

## Patinas



## Alabaster

