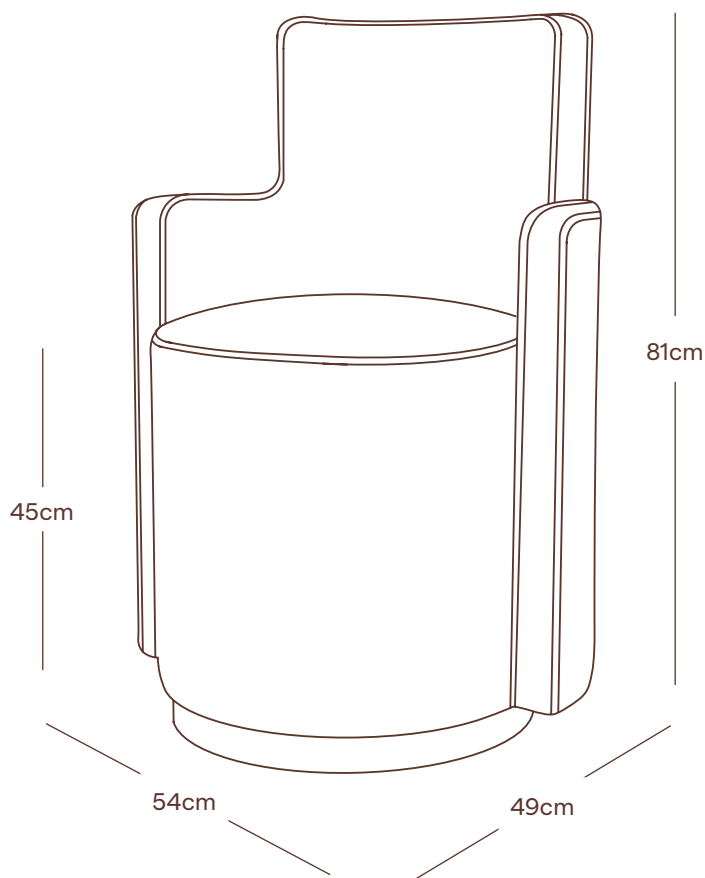


SISTER

THE TWO
STEP CHAIR



THE TWO STEP CHAIR



MATERIALS

Shown here upholstered in our Lichen Mohair with a walnut swivel plinth base.

DIMENSIONS

Width 54cm
Depth 49cm
Height 81cm
Seat Height 45cm

FABRIC

Plain: 3 metres, Pattern: 3.6 metres

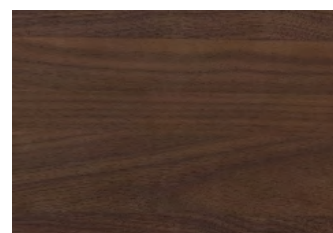
ADDITIONAL COMMENTS

Made in the UK

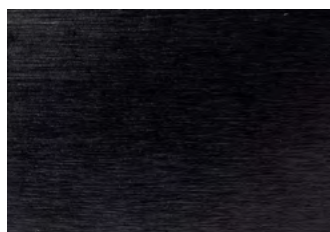
AVAILABLE FINISHES



Oak



Walnut



Black Oiled Oak

