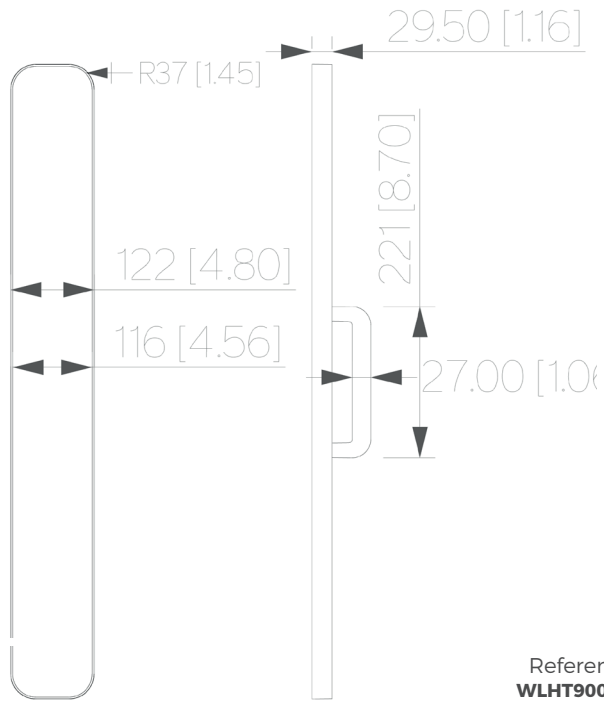


Dimension
mm [in]



Reference
WLHT900RC
Description
Reparability
Driver and led are replaceable

Patinated bronze body - Alabaster diffuser - Protective varnish

Handmade in France in our foundry

SCONCE
HUBLLOT 900

Design Yves Macheret



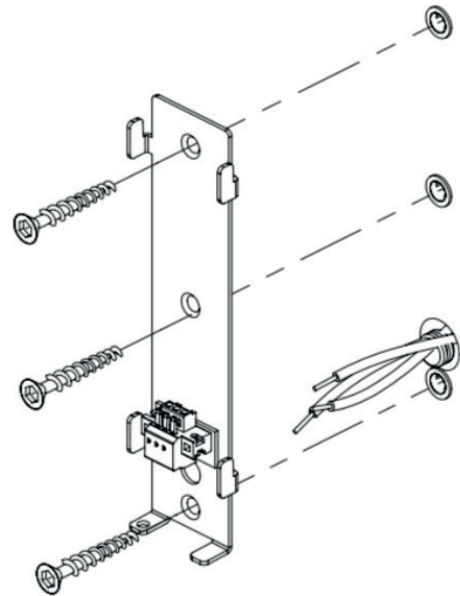
Specificity

- Power supply **110-120V / 50-60hz / 24V**
- Sources Led **strip LED 24V**
- Lumens **1200 lm (nominal)**
- Watts **23**
- Weight lbs [Kg] **22 [10]**

Standard	110 277V 50-60HZ	UL RS LISTED	CLASS 2	DRY Location	DAMP Location
Colors	2700K*	3000K	4000K		
Dimming	Triac* Fase Dim	0.10V	Dali		
Driver Position	INSIDE	INSIDE	REMOTE		

* Workshop setting

Fixing



Bronze Finishes

Patinas



Special



Alabasters

Type

