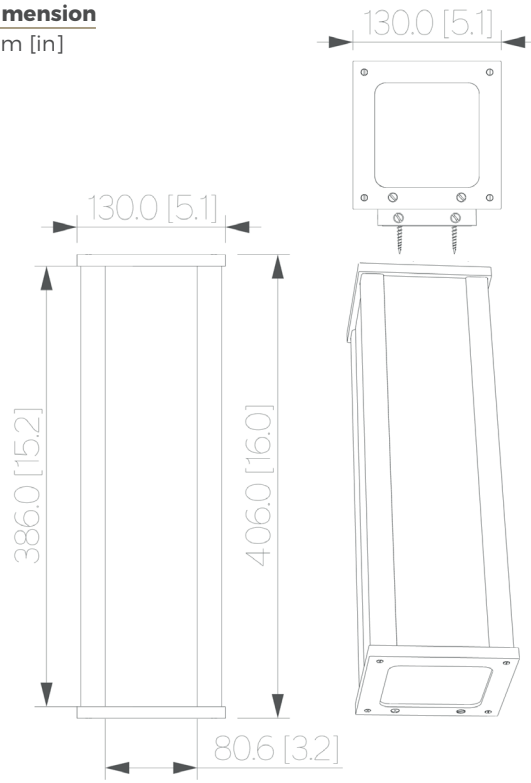


**Dimension**  
mm [in]



# SCONCE LANTERN 400

Design Yves Macheret



Reference  
**WLLN400SQ**  
Description  
Patinated bronze body - Alabaster diffuser - Protective varnish  
Reparability  
Driver and led are replaceable

Handmade in France in our foundry

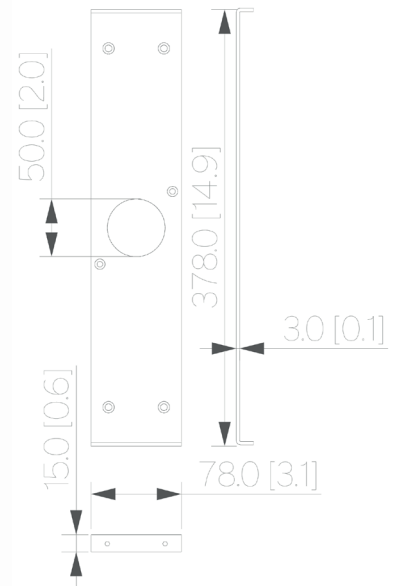
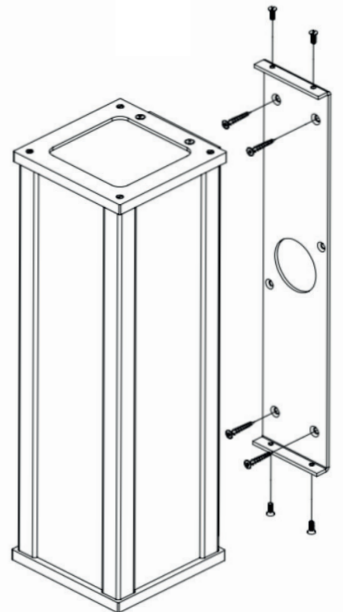
**Specificity**

- Power supply **110-120V / 50-60hz / 24V**
- Sources Led **LED module Xicato 24V**
- Lumens **500 lm (nominal)**
- Watts **15**
- Weight lbs [Kg] **35 [14]**

Standard					
Colors					
Dimming					
Driver Position					

\* Workshop setting

**Fixing**



**Bronze Finishes**

Patinas

FNRB RAW BRONZE	FNMB MEDIUM BRONZE	FNBK BLACK BRONZE

Special

FNBN BRUSHED NICKEL	CUSTOM FINISHING ON DEMAND

**Alabasters**

Type

WHITE VEIN	BROWN VEIN

