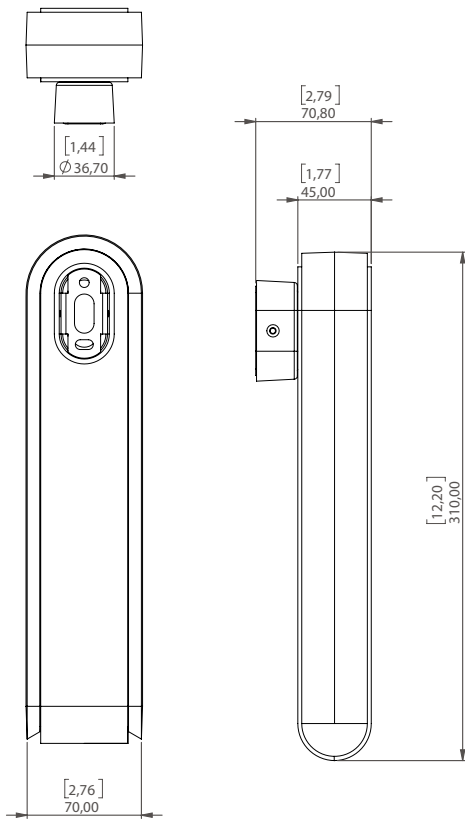


# SCONCE QUATRE CENT QUARANTE

## 310

Design Arnaud Leman



Reference

**WLQ310RC**

Description

**Patinated bronze body - Protective varnish - Alabaster diffuser**

*Handmade in France*

### Specificity

Led Sources **strip LED 220-240V / 50-60hz / 24V**

Lumens **500 lm (nominal)**

Watts **5W**

Weight kg (lbs) **2 [4.4]**

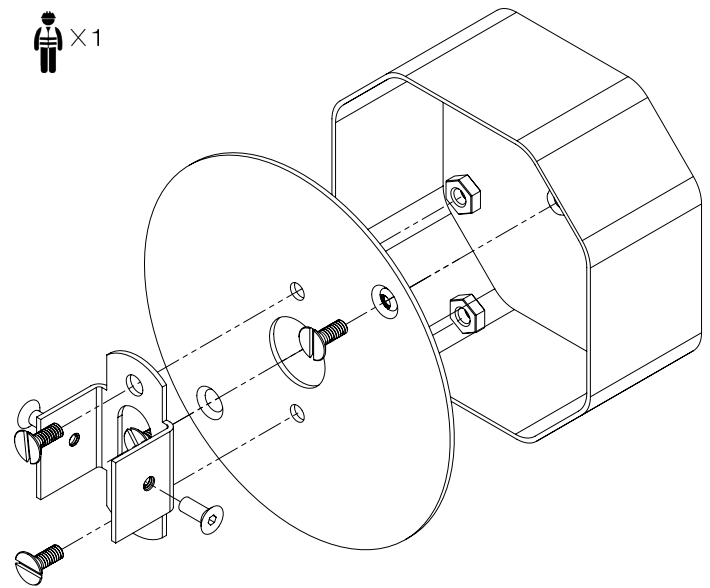
Standard

Colors

Dimming

Driver Position

### Fixation



*Factory setting*

### Bronze Finishing

Patinas



**FNRB**  
RAW  
BRONZE



**FNMB**  
MEDIUM  
BRONZE



**FNBK**  
BLACK  
BRONZE

Special



**FNBN**  
BRUSHED  
NICKEL



**CUSTOM**  
FINISHING  
ON DEMAND

### Alabasters

Type



**WHITE**  
VEIN



**BROWN**  
VEIN

